

## Outdoor Commander Series Evacuation Signals

### Applications

The Outdoor Commander Series offers dependable visible and/or audible alarms for all outdoor needs.

Included with the WGE Series is the GOE or GOELP outdoor enclosure. The enclosure is made of high quality Lexan® material, providing protection from weather related conditions and allowing the necessary full candela output. This highly constructed enclosure meets various installation requirements including deterring moisture from entering the enclosures.

The Outdoor Commander Series is equipped with the 4" mounting plate which incorporates the Super-Slide® feature that allows the installer to easily test for supervision. The product also features a locking mechanism which secures the product to the bracket without any screws showing.

The WGE Series also features the Checkmate® - Instant Voltage Verification feature which allows the installer to check the voltage drop draw and match it to ten blueprint.

The WGE Series strobe has a minimal operating current and has a minimum flash rate of 1Hz regardless of input voltage.

The WGE Series appliances are ANSI/UL 464 and ANSI/UL 1638 listed for use with fire protective systems and are warranted for three years from date of purchase.

### Standard Features

- Nominal voltage 24VDC
- Unit is shipped with ANSI/UL1638 listed WGES24-75 candela strobe or WGEC24-75 candela horn/strobe
- GOE Unit Dimensions: 5.75" (14.605 cm) high x 4.75" (12.065 cm) wide x 4.18" (10.617 cm) deep
- GOELP Unit Dimensions: 5.75" (14.605 cm) high x 4.75" (12.065 cm) wide x 3.25" (8.255 cm) deep
- To obtain outdoor listed horn, must order GEH24 and GOE/GOELP separately
- Super-Slide® - Ease of Supervision Testing
- Checkmate® - Instant Voltage Verification
- Switch selection for high or low dBA
- Switch for mechanical and 2400Hz tone
- Switch for continuous tone or temporal 3 (not available on whoop tone)
- Tamperproof re-entrant grill
- Prewire entire system, install mounting bracket, then install signals
- Separate horn and strobe functions
- Synchronize strobe and/or horn by using Gentex AVSM Control Module
- Listed to ANSI/UL1638 when used with the GOE or GOELP enclosure
- GOE/GOELP made of clear Lexan® - provides maximum visibility and reliability for effective visible signaling - allowing full 75cd output
- Input terminals accept 12 to 18 AWG
- Faceplate available in red or off-white

## WGEC24 / WGES24 SERIES



GOELP GOE

WGES24 and WGEC24 Shipped with the GOE or GOELP Outdoor Enclosure

### Product Listings

#### SIGNALING



LISTED



- ANSI/UL 464 and ANSI/UL 1638 Listed
- CSFM 7135-0569:122 (WGEC)  
7125-0569:127 (WGES)  
7300-0569:124 (ENCLOSURE)
- MEA #285-91E-XVI

### Product Compliance

- NFPA 72
- Americans with Disabilities Act (ADA)
- IBC/IFC/IRC
- Quality Management System is certified to: ISO 9001:2008



## GEH24 - 24 Volt Low Profile Evacuation Horn

Model Number	Part Number	Nominal Voltage	Reverberant dBA at 10 ft. per ANSI/UL 464	In Anechoic Room dBA at 10ft.
GEH24-R	904-1205-002	24 VDC	70-82	100
GEH24-W	904-1207-002	24 VDC	70-82	100

**NOTE: Must order the GOE or GOELP separately when using the GEH24 in an outdoor application.**

## WGES24 - 24 Volt Low Profile Evacuation Outdoor Strobe

Model Number	Part Number	Nominal Voltage	Candela (ANSI/UL 1638)
WGES24-75WR	904-1219-002	24 VDC	75
WGES24-75WW	904-1220-002	24 VDC	75
WGES24-75PWR	904-1247-002	24 VDC	75
WGES24-75PWV	904-1248-002	24 VDC	75
WGES24-75WRLP	904-1261-002	24 VDC	75
WGES24-75WWLP	904-1263-002	24 VDC	75
WGES24-75PWRLP	904-1262-002	24 VDC	75
WGES24-75PWVLP	904-1264-002	24 VDC	75

**WGES24 and WGES24 shipped with the GOE or GOELP Outdoor Enclosure**

## WGEC24 - 24 Volt Low Profile Evacuation Outdoor Horn/Strobe

Model Number	Part Number	Nominal Voltage	Candela (ANSI/UL 1638)	Reverberant dBA @ 10ft Per ANSI/UL 464	In Anechoic Room dBA @ 10ft.
WGEC24-75WR	904-1217-002	24 VDC	75	70-82	100
WGEC24-75WW	904-1218-002	24 VDC	75	70-82	100
WGEC24-75PWR	904-1245-002	24 VDC	75	70-82	100
WGEC24-75PWV	904-1246-002	24 VDC	75	70-82	100
WGEC24-75WRLP	904-1257-002	24 VDC	75	70-82	100
WGEC24-75WWLP	904-1259-002	24 VDC	75	70-82	100
WGEC24-75PWRLP	904-1258-002	24 VDC	75	70-82	100
WGEC24-75PWVLP	904-1260-002	24 VDC	75	70-82	100

Model Designations:

"W" = Wall Mount

"R" = Red Faceplate

"W" = Off-White Faceplate

"P" = Plain (no lettering)

**NOTE: Plain units are non-returnable.**

LP" = Low Profile (GOELP Enclosure)

Horn Mode	Horn Decibel Levels		Horn Current Ratings
	Minimum SPL at 10 feet per ANSI/UL 464 (HIGH)	Minimum SPL at 10 feet per ANSI/UL 464 (LOW)	Regulated 24VDC Max. Operating at High Setting
Temp 3 2400Hz	78 dBA	71* dBA	28mA
Temp 3 Mechanical	76 dBA	70* dBA	25mA
Temp 3 Chime	70* dBA	66* dBA	15mA
Continuous 2400Hz	81 dBA	74* dBA	28mA
Continuous Mechanical	80 dBA	72* dBA	25mA
Continuous Chime	70* dBA	66* dBA	15mA
Whoop	82 dBA	69* dBA	56mA

WGE Series Product Strobe Current Ratings	
Candela	75cd
24 VDC	112mA
UL Max <sup>1</sup>	170mA

### NOTES:

- The WGE Series is listed for outdoor use. Indoor Operating Temperature: 32° to 120°F (0° to 49°C). Outdoor Operating Temperature: -31° to 150°F (-35° to 66°C).
- For nominal and peak current across ANSI/UL regulated voltage range for filtered DC power and unfiltered (FWR [Full Wave Rectified]) power, see installation manual.
- Gentex does not recommend using a coded or pulsing signaling circuit with any of our strobe products (see Technical Bulletin Number 014).**
- The sound output for the temporal 3 tone is rated lower since the time the horn is off is averaged into the sound output rating. While the horn is producing a tone in the temporal 3 mode its sound pressure is the same as the continuous mode.

\*Operating the horn in this mode at this voltage will result in not meeting the minimum UL reverberant sound level required for public mode fire protection service. These settings are acceptable only for private mode fire alarm use. Use the high dBA setting for public mode application (not applicable when using the chime tone. The chime tone is always private mode).

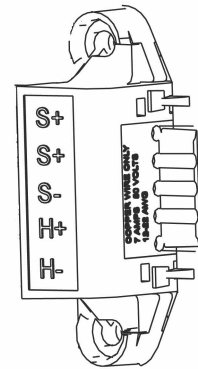
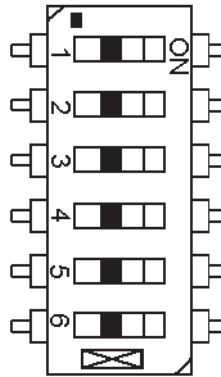
<sup>1</sup> RMS current ratings are per ANSI/UL average RMS method. ANSI/UL max current rating is the maximum RMS current within the listed voltage range (16-33VDC for 24VDC units) (8-17VDC for 12VDC units). For strobes the ANIS/UL max current is usually at the minimum listed voltage (16VDC for 24VDC units) (8VDC for 12VDC units). For audibles the max current is usually at the maximum listed voltage. For unfiltered FWR ratings, see installation manual.

## Tone Switch Locations

TONE	SWITCH POSITION		
	3	4	5
Mechanical Temporal 3	ON	ON	ON
Mechanical - Continuous	OFF	ON	ON
2400Hz - Temporal 3	ON	OFF	ON
2400Hz - Continuous	OFF	OFF	ON
Chime - Temporal 3	ON	ON	OFF
Chime - Continuous	OFF	ON	OFF
Whoop	ON	OFF	OFF
Whoop	OFF	OFF	OFF

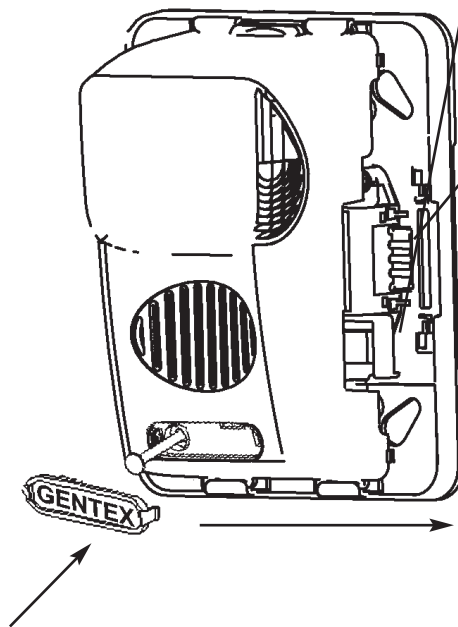
### NOTE:

- Switch Positions 1 and 2 in the OFF position to select isolated horn and strobe power inputs
- Switch Position 6 ON = HIGH dBA
- Switch Position 6 OFF = LOW dBA



## Gentex Super-Slide® Mounting Bracket

Allows the installer to pre-wire the system, test for system supervision, remove the signal head until occupancy, switch out Gentex signals without changing mounting brackets and has locking edge connector for snap-in-place installation.

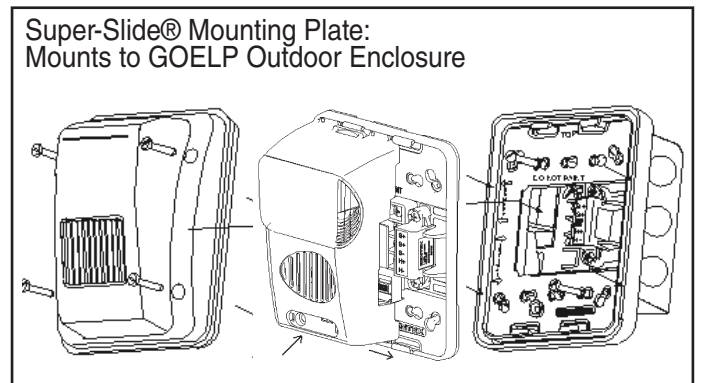
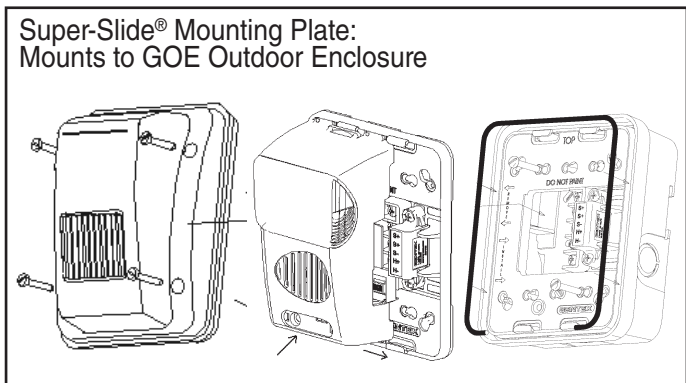


## Gentex Checkmate® Instant Voltage Verification

It is often necessary to confirm the voltage drop along a line of devices. The access holes are provided in the back of the terminal block to allow the voltage to be measured directly without removing the device. Typically this would be done at the end of the line to confirm design criteria. Most measurements will be taken using the S+ and S- locations although access is provided to other locations.

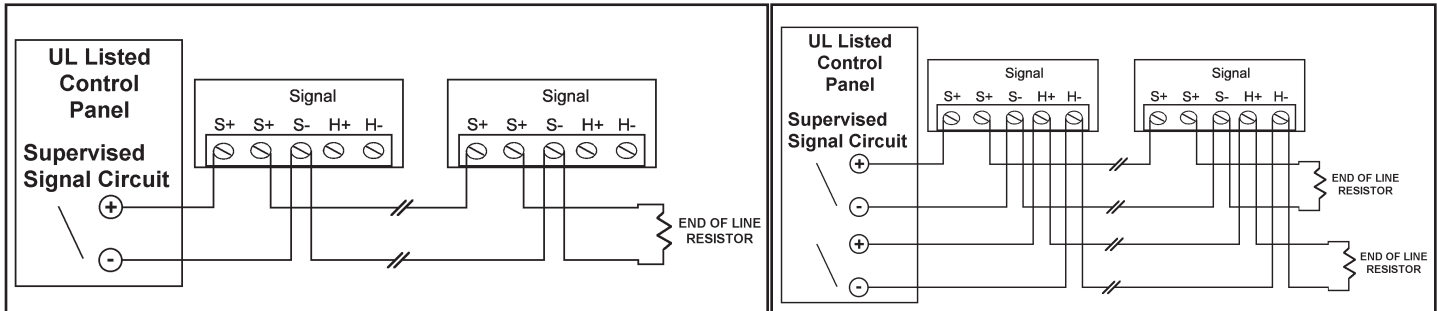
**NOTE:** Care should be taken to not short the test probes.

## Mounting Outdoor Enclosure



# WGEC24/ WGES24 SERIES

## Conventional Wiring Diagrams for Emergency Notification Evacuation Series



### NOTES:

- All strobes are designed to flash as specified with continuous applied voltage. Strobes should not be used on coded or pulsing signaling circuits. However, use of the Gentex AVSM control module or Gentex synchronization protocol is permitted to synchronize the strobe, horn and/or mute the horn. See Technical Bulletin 014 for additional information.
- **FOR SYNCHRONIZATION WIRING INFORMATION, REFERENCE AVSM CONTROL MODULE DATA SHEET (551-0031) AND/OR AVSM CONTROL MODULE MANUAL (550-0284) FOR SYNCHRONIZATION MODULE WIRING DIAGRAMS. AVSM CONTROL MODULE DATA SHEET AND MANUAL CAN BE OBTAINED AT <http://www.gentex.com> OR CALL GENTEX CORPORATION AT 1-800-436-8391.**

### Architect & Engineering Specifications

The audible and/or visible signal shall be Gentex WGE Series or approved equal and shall be listed by Underwriters Laboratories Inc. per ANSI/UL 1638 and/or ANSI/UL 464. The notification appliance shall also be listed with the California State Fire Marshal (CSFM).

The notification appliance (combination audible/visible) shall produce a peak sound output of 100dBA or greater at as measured in an anechoic chamber. The signaling appliance shall also have the capability to silence the audible signal while leaving the visible signal energized with the use of a single pair of power wires. Additionally, the user shall be able to select either continuous or temporal tone output with the temporal signal having the ability to be synchronized.

The audible/visible and visible signaling appliance shall also maintain a minimum flash rate of 1Hz or up to 2 Hz regardless of power input voltage. The appliance shall have an operating current of 170mA or less for the 75Cd strobe circuit. The appliance shall also be capable of meeting the candela requirements of the ADA (75cd).

The appliance shall be polarized to allow for electrical supervision of the system wiring. The unit shall be provided with a mounting bracket with terminals with barriers for input/output wiring and be able to mount to a single gang or double gang box or double workbox without the use of an adapter plate. The unit shall have an input voltage range of 16-33 volts with either direct current or full wave rectified power for 24 volt models.

The appliance shall be capable of testing supervision without disconnecting wires. Also the appliance shall be capable of mounting to a surface back box. The unit shall also be able to verify voltage at the unit without removing unit.

The appliance has extended temperature range of -31° to 150°F (-35° to 66° C). The appliance shall satisfy virtually all outdoor and severe environment applications. The GOE Enclosure includes a gasket that must be inserted between the box and mounting bracket. There are drain holes in the back box to allow for drainage, the seal on the GOE Enclosure is not water tight. The GOELP Enclosure includes a weather seal for mounting to wall and intended for use with universal electrical box. To allow for drainage, bottom edge of enclosure is not water tight.

1 unit per carton  
3 pounds per carton

# GENTEX CORPORATION

Fire Protection Products Group • [www.gentex.com](http://www.gentex.com)  
10985 Chicago Drive • Zeeland, Michigan 49464  
616.392.7195 • 1.800.436.8391 • 616.392.4219 Fax

Gentex Corporation reserves the right to make changes to the product data sheet at their discretion.

#### Important Notice:

These materials have been prepared by Gentex Corporation ("Gentex") for informational purposes only, are necessarily summary, and are not purported to serve as legal advice and should not be used as such. Gentex makes no representations and warranties, express or implied, that these materials are complete and accurate, up-to-date, or in compliance with all relevant local, state and federal laws, regulations and rules. The materials do not address all legal considerations as there is inevitable uncertainty regarding interpretation of laws, regulations and rules and the application of such laws, regulations and rules to particular fact patterns. Each person's activities can differently affect the obligations that exist under applicable laws, regulations or rules. Therefore, these materials should be used only for informational purposes and should not be used as a substitute for seeking professional legal advice. Gentex will not be responsible for any action or failure to act in reliance upon the information contained in this material.

551-0047-03